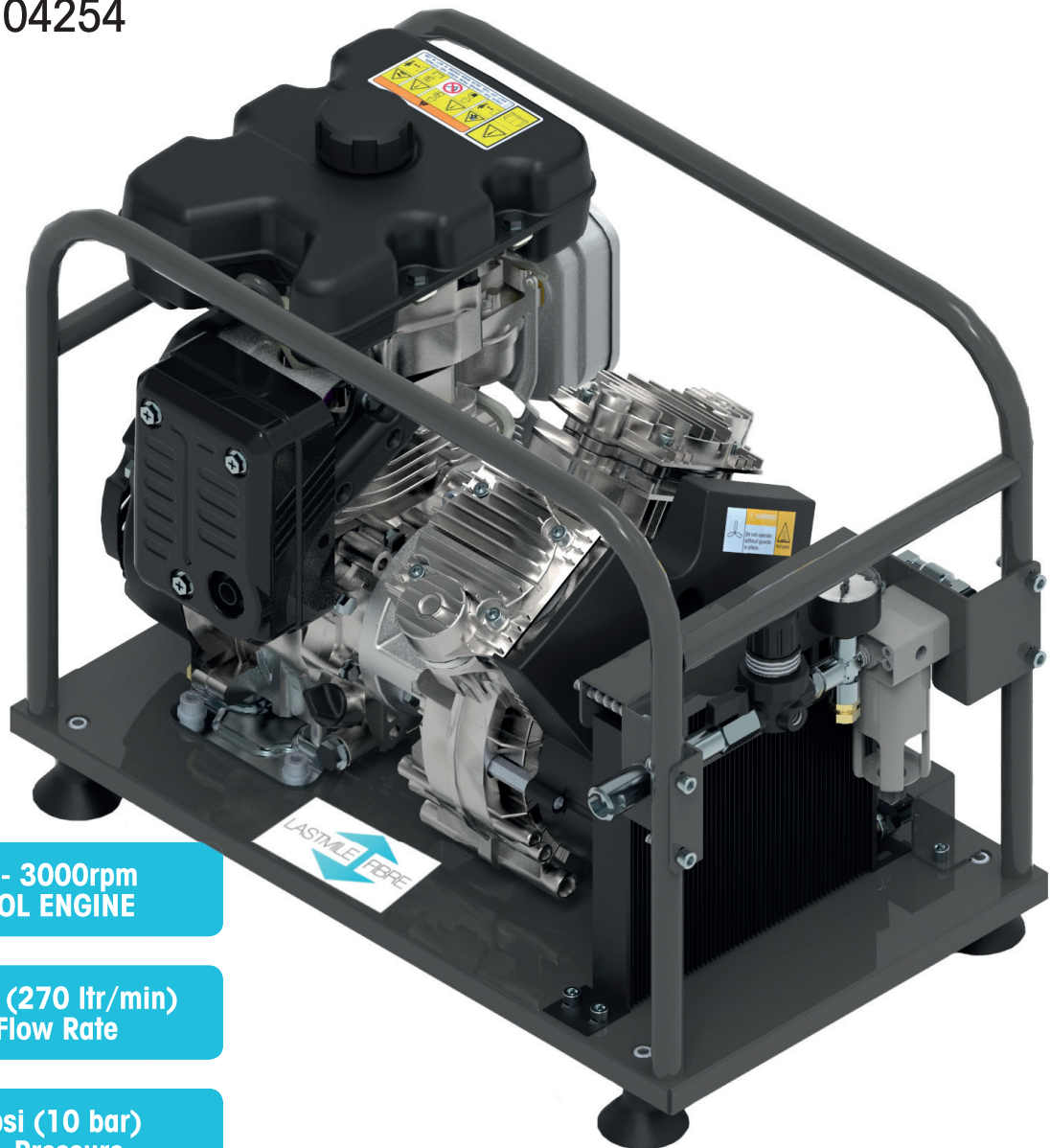


LASTMILE FIBRE

Blown Fibre Air Compressor

Item no: 04254



3 HP - 3000rpm
PETROL ENGINE

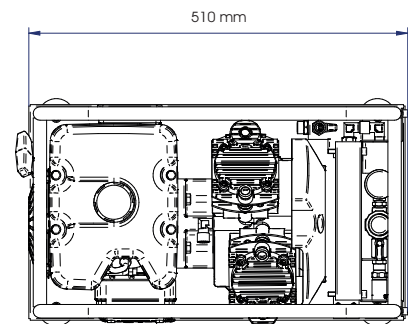
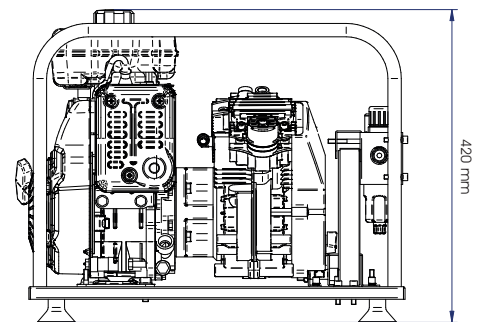
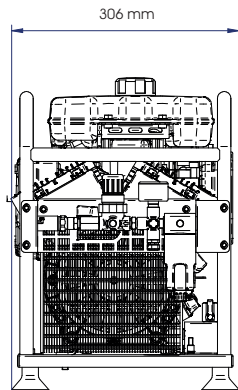
9.5 CFM (270 ltr/min)
Air Flow Rate

145 psi (10 bar)
Max. Pressure

Blown Fibre Air Compressor

Features & Benefits

- V - Configuration oil-less compressor pump
- Oil free air production
- Tankless design
- Cast aluminium construction
- Unique connecting rod system for perfect balance
- Heat-treated components for longer life
- Stainless steel valves
- Air cooling radiator with pressure stabilising valve
- Condensate filter
- Auto discharge idling valve
- Heavy-duty flexible reinforced delivery pipe
- Full wrap around frame for protection and portability
- Supplied with 'Instantair' coupler



Item No	04254
Engine	3 HP / 3000 rpm SUBARU Petrol
Air Flow Rate	9.5 CFM (270 ltr/min)
Maximum Pressure	145 psi (10 bar)
Noise Level	80 dB LpA / 94 dB LwA
Fuel Tank Capacity	3.5 Litre
Weight	25 kg

